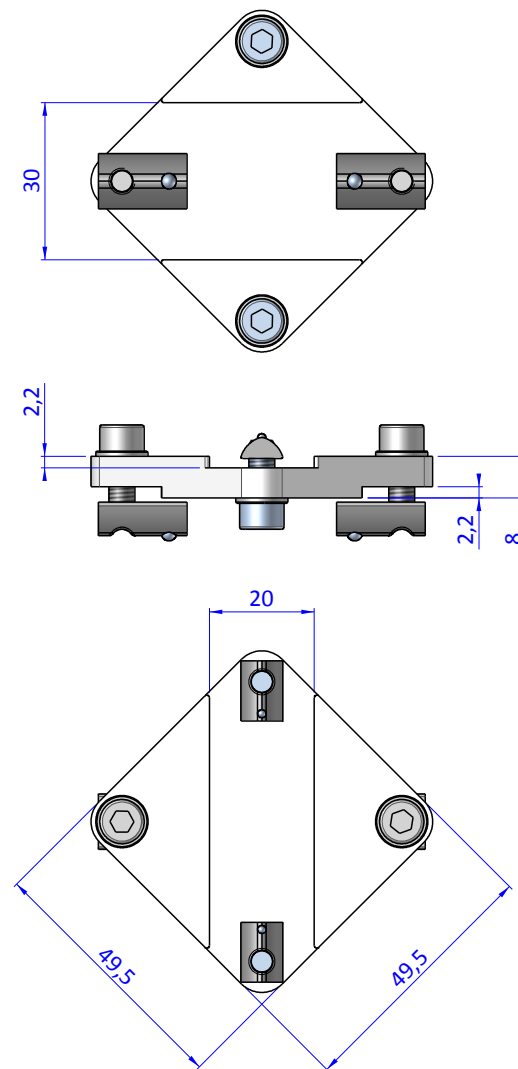
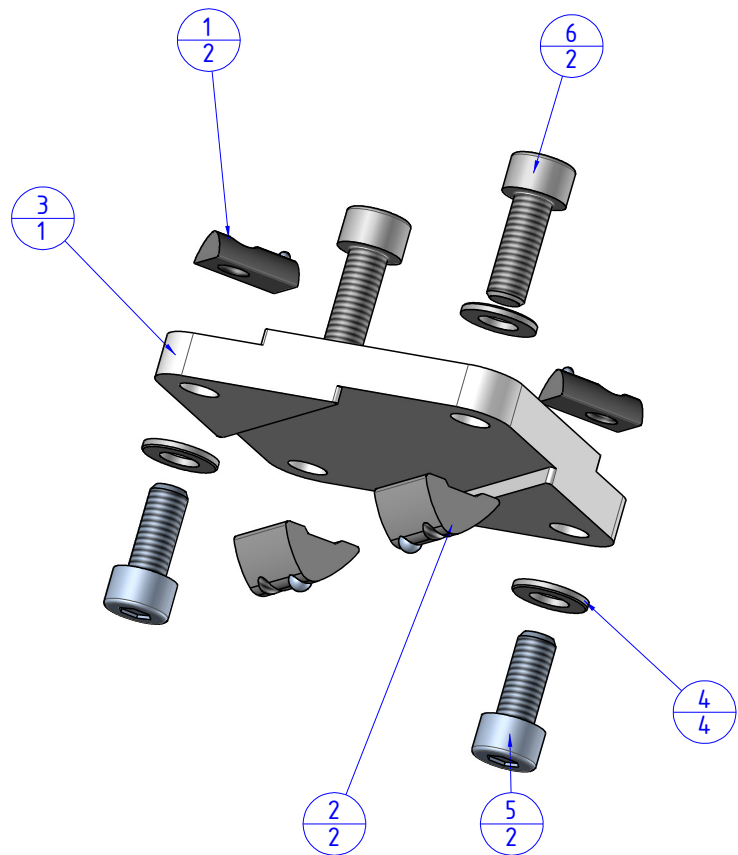


THE PROPERTY OF THE DRAWING IS ESTABLISHED BY LAW. IT IS FORBIDDEN TO PRODUCE OR SHOW IT TO THIRD PARTY WITHOUT A WRITTEN AGREEMENT.

Item	Name	Q. ty
1	CA.02.05.003	2
2	CA.02.05.005	2
3	03.01.002	1
4	R.5	4
5	V.TCE5x12	2
6	V.TCE5x14	2



Format A3

UNI 936-76

		DESIGNED FROM	REVIEW
		FP SERVICES	A / 0
GENERAL TOLERANCE	DESCRIPTION	DATE	WEIGHT
UNI - ISO 2768	CA.03.01.002	18/05/2018	0,066kg
CLASSE f		CODE	CA.03.01.002